



适用于KYN61-40.5 开关柜  
Used KYN61-40.5

## LDBJ9-40.5 型电流互感器

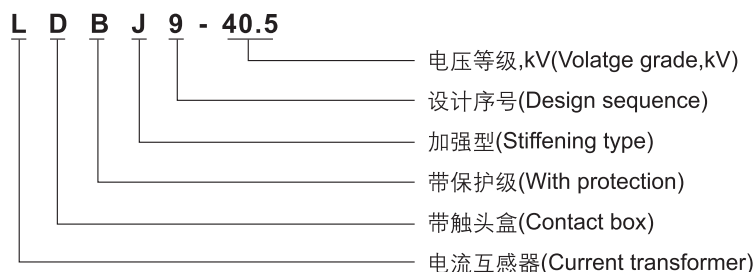
### LDBJ9-40.5 Current transformer

#### 概述 Description

本系列电流互感器为环氧树脂浇注全封闭产品，适用于额定频率50Hz或60Hz、额定电压35kV及以下的系统中，作电流量、电流测量和继电保护用。本产品符合IEC185及GB1208-1997《电流互感器》。

The current transformer of the type LDJ-35 is casting resins and fully enclosed. It is used for metering electric energy and current, relay protection in the electrical system up to rated frequency 50Hz or 60Hz and rated volte 35kV. The transformers can be executed according to the standards IEC185 and GB1208-1997.

#### 型号含义 Type designation



#### 结构简介 Construction

本系列电流互感器为全封闭环氧树脂浇注结构，其一次绕组的P2端直接作为开关柜中的静触头，带有触头盒。

The current transformers are casting resin and fully enclosed. The terminal P2 of the primary winding is used as the static contact in the switch cabinet and it is with contact box. The static contact's cross-section has fore types.

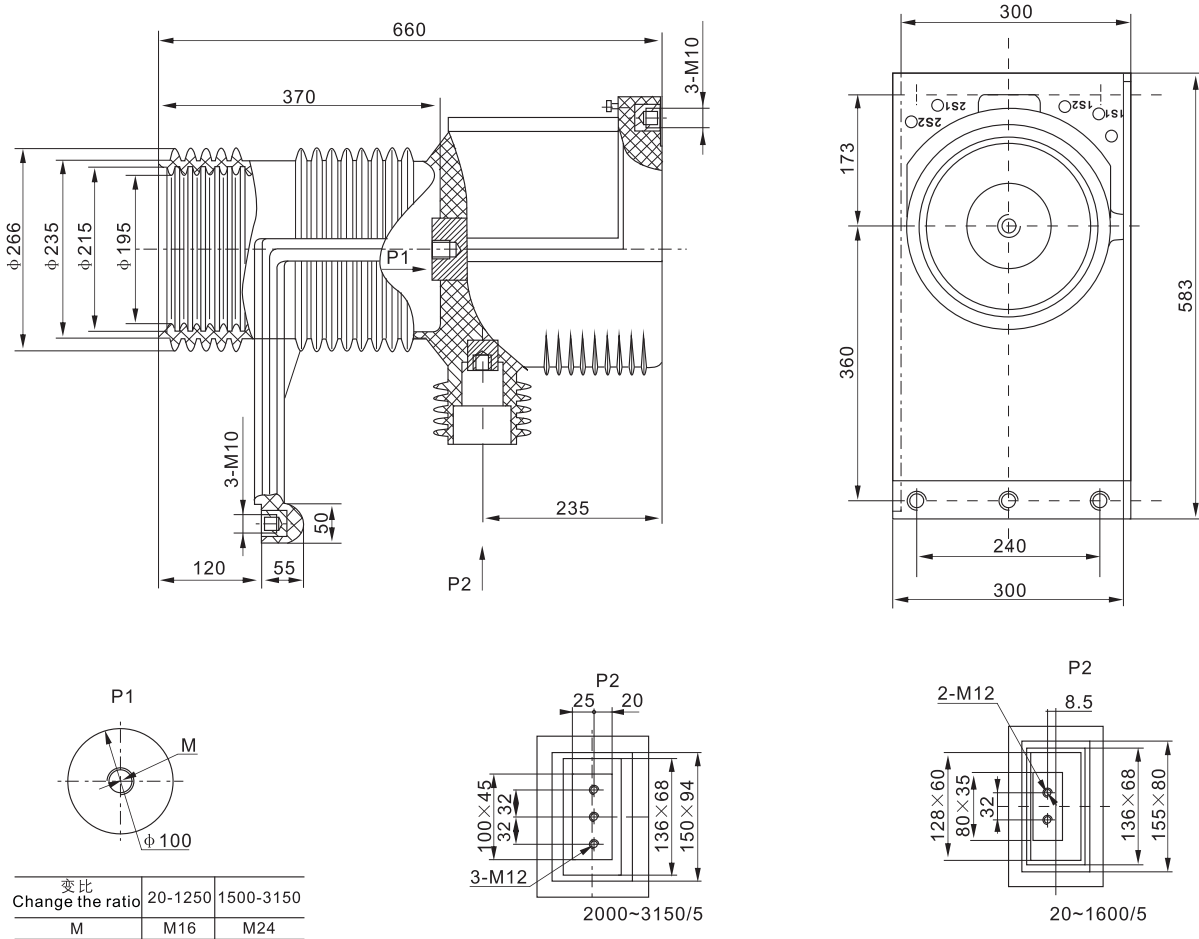
#### 技术参数 Technical data

- 1.额定绝缘水平：40.5/95/185kV；
  - 2.负荷的功率因数：COS=0.8(滞后)；
  - 3.额定二次电流：5A或1A；
  - 4.测量级可做成0.2S或0.5S级；
  - 5.局部放电水平符合有关国家标准规定；
  - 6.其它技术参数见下表。
- 1.Rated insulation level: 40.5/95/185kV；
  - 2.The power factor of burden is 0.8(laggomg)；
  - 3.Rated secondary current:5A or 1A；
  - 4.The measuring class can be made 0.2S or 0.5S；
  - 5.Partial discharge level accords with relational rules of country's standard；
  - 6.The other technical data see following table.

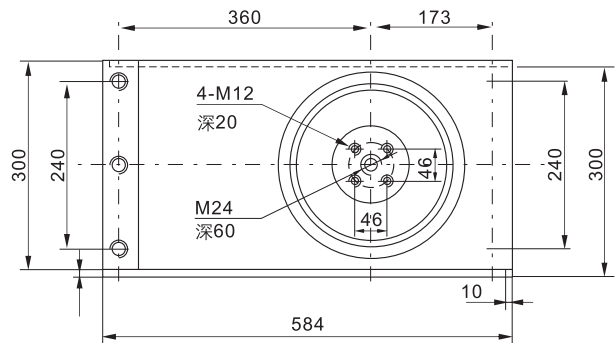
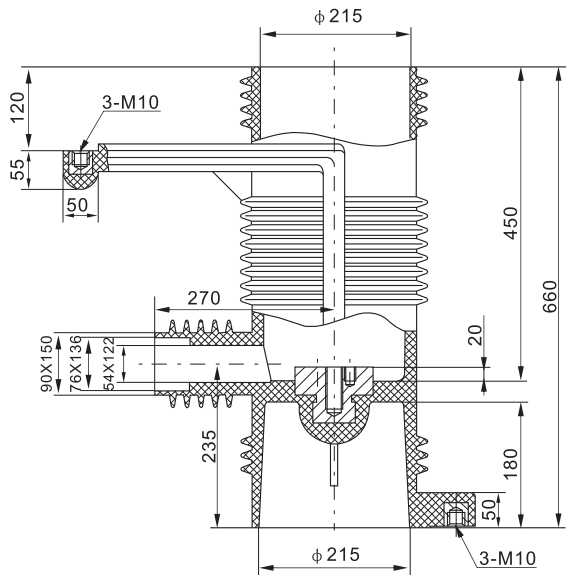
表(table)1

额定一次电流 Rated primary current(A)	准确级组合及相应的额定输出 Accuracy classes combination and relevant rated output(VA)				短时热电流(I <sub>th</sub> ) short time thermal current(KA)	动稳定电流(I <sub>dyn</sub> ) dynamic current(KA)
	0.2/10P10	0.5/10P10	0.2/0.5	10P10/10P10		
5~300	10/30	20/30	10/20	20/20	150 I <sub>in</sub>	375 I <sub>itn</sub>
400	10/40	15/40	10/15	20/20	63	160
500	10/40	15/40	10/15	25/25	63	160
600	10/50	30/50	10/30	30/30	63	160
750~800	20/50	30/50	20/30	30/30	63	160
1000~1500	30/50	50/50	30/50	40/40	80	180
2000~3150	30/50	50/50	50/50	50/50	100	180

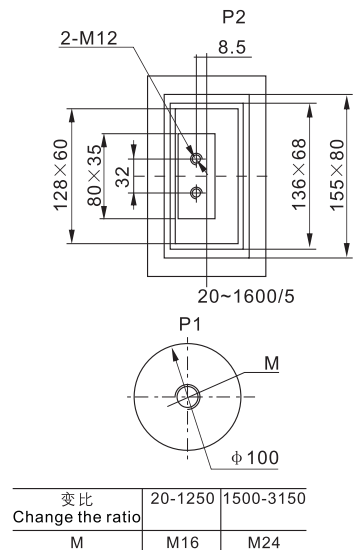
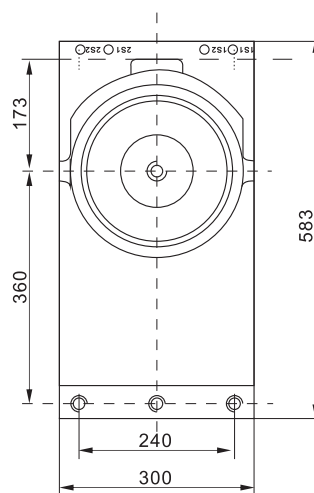
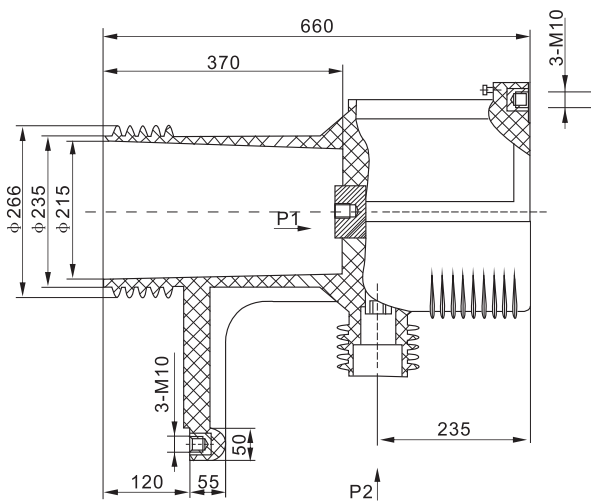
**外形尺寸 Overall Dimension**



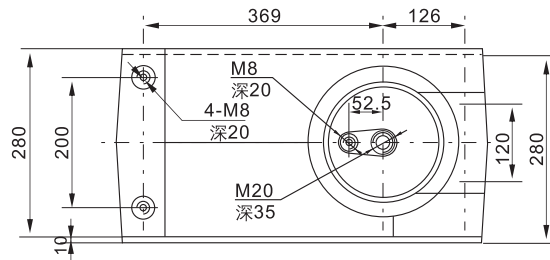
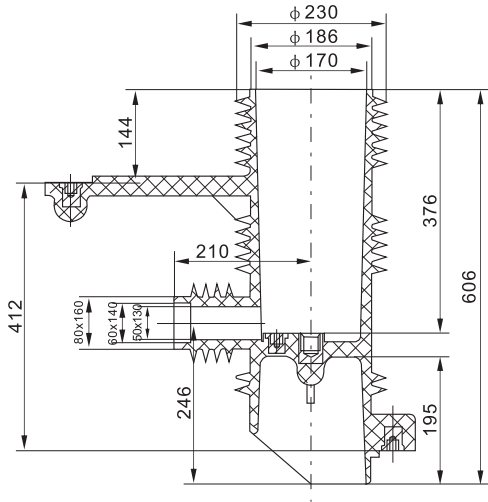
LDBJ-40.5Q Overall dimsnion



CH3-40.5触头盒 Overall dimnsion

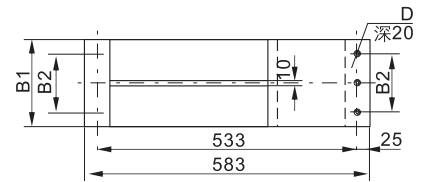
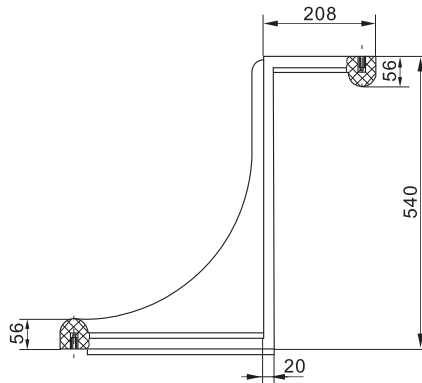


LDBJ-40.5 Overall dimnsion



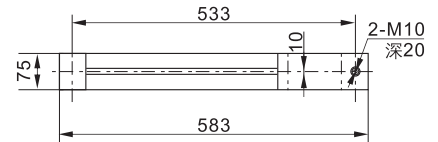
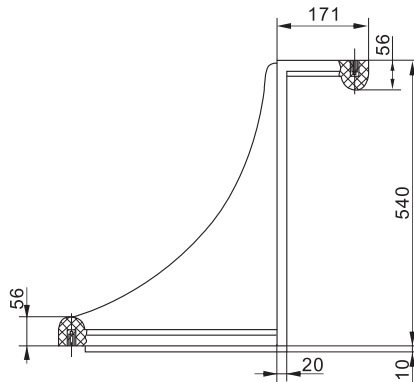
CH2-40.5触头盒 Overall dimnsion

ZH1-40.5弯板 Overall dimnsion



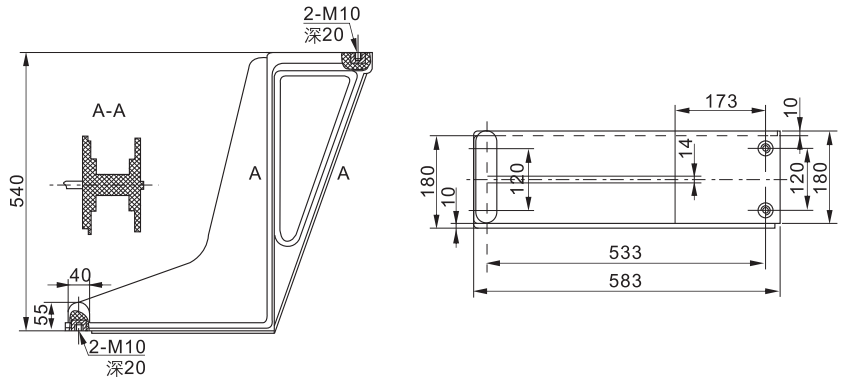
型号 Type	B1	B2	D
180	180	120	4-M10
125	125	63	4-M10
50	50	0	2-M10

ZH2-40.5弯板 Overall dimnsion

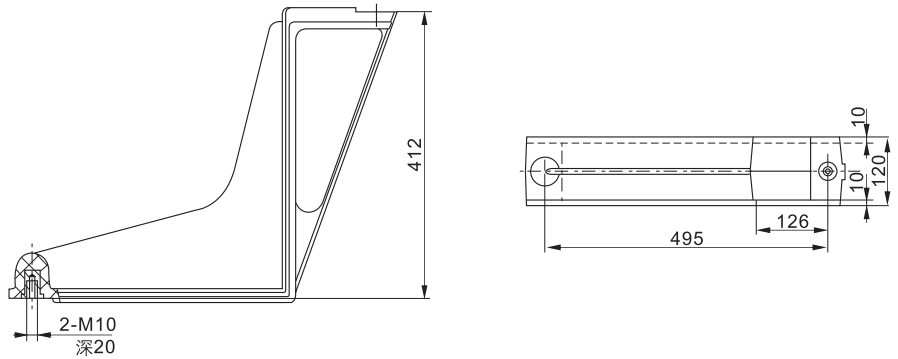


**JOSEF** 约瑟

ZH3-40.5弯板 Overall dimnsion



ZH3-40.5/120弯板 Overall dimnsion



10P 级准确限值系数  
Accuracy limit factor of class 10P

